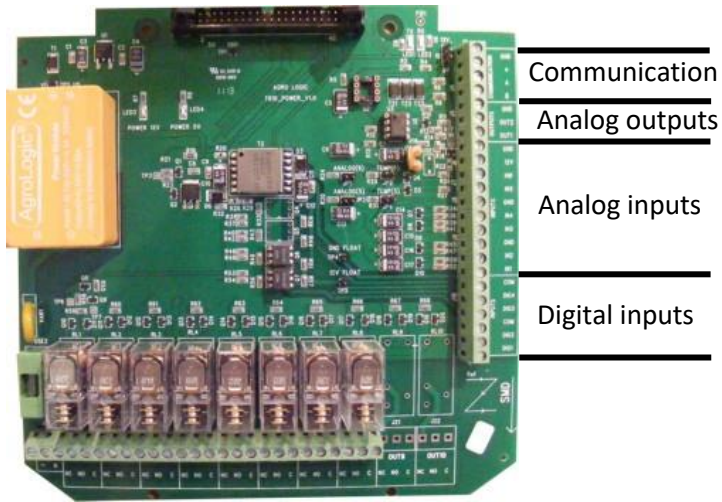


# TempTron 607 Ver d322



## Digital input connectors

|       |       |
|-------|-------|
| DIG 1 | Flap1 |
| DIG 2 | Flap2 |
| DIG 3 |       |
| DIG 4 |       |

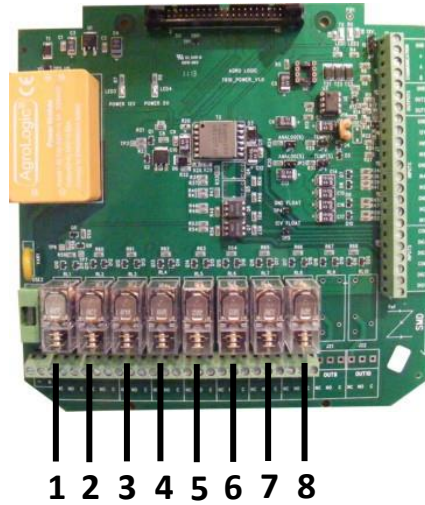
## Analog input connectors

|      |                      |
|------|----------------------|
| IN 1 | Temperature sensor 1 |
| IN 2 | Temperature sensor 2 |
| IN 3 | Temperature sensor 3 |
| IN 4 | Temperature sensor 4 |
| IN 5 | Temperature sensor 5 |
| IN 6 | Humidity sensor      |

## Analog outputs

|       |  |
|-------|--|
| Out 1 |  |
| Out 2 |  |

### Relay connections



### Relay connections

|         |                    |
|---------|--------------------|
| Relay 1 | Alarm              |
| Relay 2 | HEAT1_RELAY        |
| Relay 3 | FAN_1_RELAY        |
| Relay 4 | FLAP_1_OPEN_RELAY  |
| Relay 5 | FLAP_1_CLOSE_RELAY |
| Relay 6 | FLAP_2_OPEN_RELAY  |
| Relay 7 | FLAP_2_CLOSE_RELAY |
| Relay 8 | COOL_RELAY         |

## Hidden function list

Hidden Functions are functions are not found on the front panel function list and can be seen only after they are unlocked.

To unlock hidden function, follow these steps:

- A. Go to the time function (function 01)
- B. Push on “PROG”
- C. Enter “3331” and then press "Enter".

Now the hidden functions will be unlocked and can be accessed.

|                               |
|-------------------------------|
| /* 52 */ _Flap_1_state,       |
| /* 53 */ _Flap_2_state,       |
| /* 54 */ _Flap_1_sensors,     |
| /* 55 */ _Flap_2_sensors,     |
| /* 56 */ _Forced_cntr,        |
| /* 57 */ _Flap_n_sync,        |
| /* 58 */ _Flap_sync_setpoint, |
| /* 59 */ _LockCode,           |
| /* 60 */ _Navr,               |
| /* 61 */ _NetName,            |
| /* 62 */ _Protocol,           |
| /* 63 */ _Dig_inputs,         |
| /* 64 */ _Version             |