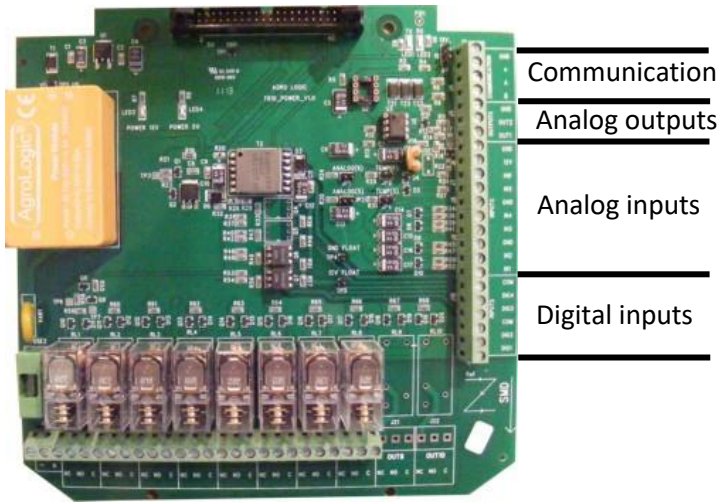


TempTron 607 Ver P480



Digital input connectors

DIG 1	
DIG 2	
DIG 3	
DIG 4	

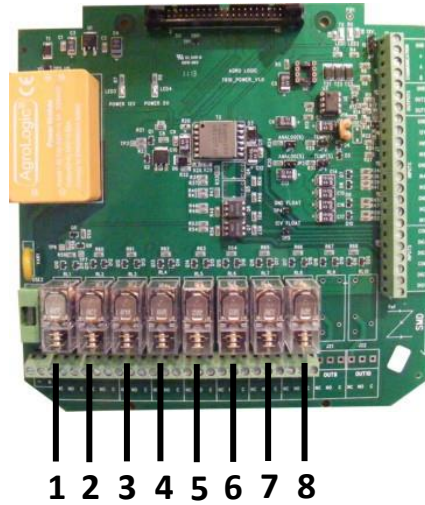
Analog input connectors

IN 1	Temperature sensor 1
IN 2	Temperature sensor 2
IN 3	Temperature sensor 3
IN 4	Temperature sensor 4
IN 5	Temperature sensor 5
IN 6	Humidity sensor

Analog outputs

Out 1	Heat A out
Out 2	Heat B out

Relay connections



Relay connections

Relay 1	Alarm
Relay 2	In Cool
Relay 3	Flap1 open
Relay 4	Flap1 close
Relay 5	Flap2 open
Relay 6	Flap2 close
Relay 7	Flap3 open
Relay 8	Flap3 close

Hidden function list

Hidden Functions are functions are not found on the front panel function list and can be seen only after they are unlocked.

To unlock hidden function, follow these steps:

- A.** Go to the function (function 01)
- B.** Push on “PROG”
- C.** Enter “996” and then press "Enter".

Now the hidden functions will be unlocked and can be accessed.

/* 28 */ _NetName,
/* 29 */ _Navr,
/* 30 */ _HeatA_Sensors,
/* 31 */ _HeatB_Sensors,
/* 32 */ _Flap1_Sensors,
/* 33 */ _Flap2_Sensors,
/* 34 */ _Flap3_Sensors,
/* 35 */ _Protocol,
/* 36 */ _Flash_open_Timer1,
/* 37 */ _Flash_open_Timer2,
/* 38 */ _Flash_open_Timer3,
/* 39 */ _Flash_close_Timer1,
/* 40 */ _Flash_close_Timer2,
/* 41 */ _Flash_close_Timer3,
/* 42 */ _AlarmDis,
/* 43 */ _Version