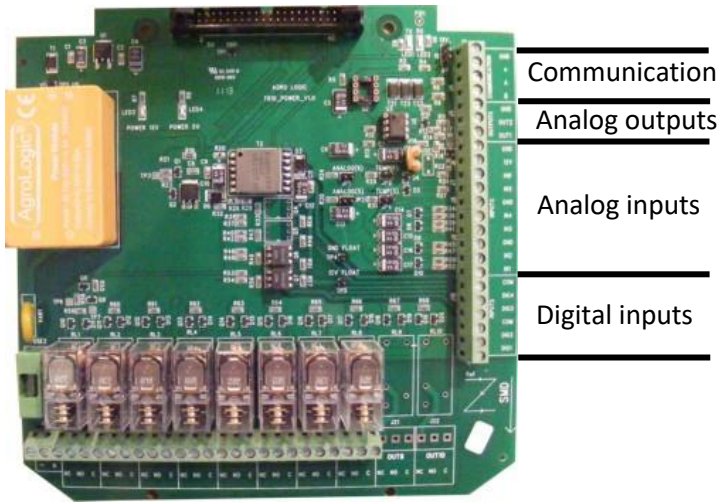


TempTron 607 Ver C.010



Digital input connectors

DIG 1	
DIG 2	
DIG 3	
DIG 4	

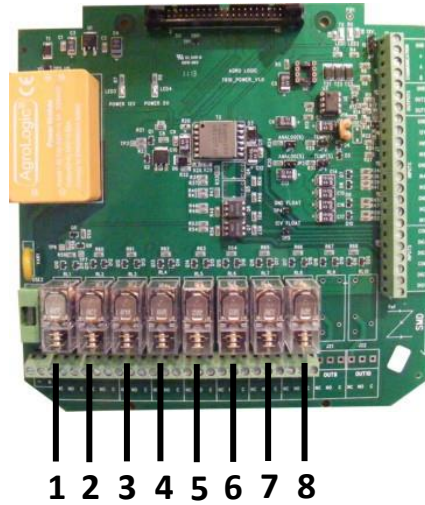
Analog input connectors

IN 1	Temperature sensor 1
IN 2	Temperature sensor 2
IN 3	Temperature sensor 3
IN 4	Temperature sensor 4
IN 5	Temperature sensor 5
IN 6	Temperature sensor 6

Analog outputs

Out 1	Heat 1 out
Out 2	Heat 2 out

Relay connections



Relay connections

Relay 1	Alarm
Relay 2	HEAT1_RELAY
Relay 3	HEAT2_RELAY
Relay 4	
Relay 5	
Relay 6	
Relay 7	
Relay 8	