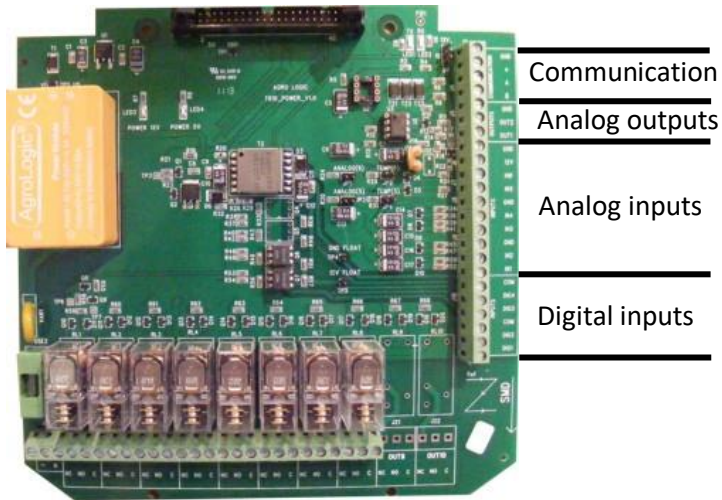


# TempTron 607 Ver A.160



## Digital input connectors

DIG 1	
DIG 2	
DIG 3	
DIG 4	

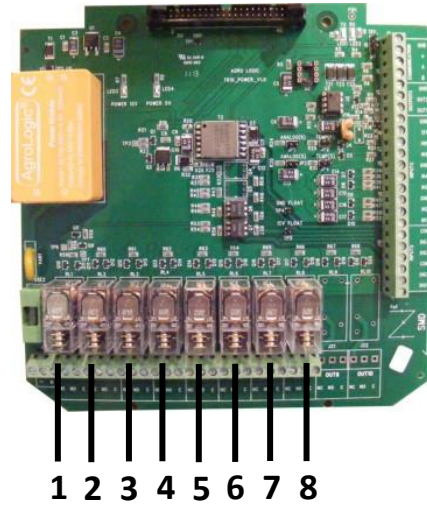
## Analog input connectors

IN 1	Temperature sensor 1
IN 2	Temperature sensor 2
IN 3	Temperature sensor 3
IN 4	Temperature sensor 4
IN 5	Temperature sensor 5
IN 6	Humidity

## Analog outputs

Out 1	
Out 2	

### Relay connections



### Relay connections

Relay 1	Alarm
Relay 2	HEAT_RELAY
Relay 3	FAN_1_RELAY
Relay 4	FAN_2_RELAY
Relay 5	FAN_3_RELAY
Relay 6	COOL_RELAY
Relay 7	FEED_RELAY
Relay 8	TIMER_RELAY

## Hidden function list

Hidden Functions are functions are not found on the front panel function list and can be seen only after they are unlocked.

To unlock hidden function, follow these steps:

- A. Go to the time function (function 01)
- B. Push on "PROG"
- C. Enter "3331" and then press "Enter".

Now the hidden functions will be unlocked and can be accessed.

/* 47 */ _ResetTime,
/* 48 */ _LockCode,
/* 49 */ _Navr,
/* 50 */ _NetName,
/* 51 */ _Dig_inputs,
/* 52 */ _Feed_Mode, // 0 - feed count by time, 1 - feed count by pulse
/* 53 */ _Fan_Mode, // 0 - min fan cirulats from fan1 ,fan2 etc.
/* 54 */ _Protocol,
/* 55 */ _Version